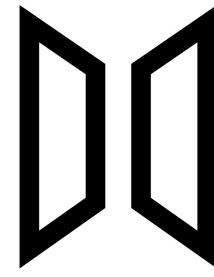


Conservatory Roof Form

All items viewed from outside

Quote

Order



TRADE TECH

WINDOWS & DOORS

[Quotes to: enquiries@trade-tech.co.uk](mailto:enquiries@trade-tech.co.uk)

PLEASE TICK THE APPROPRIATE BOX TO INDICATE WHETHER THIS IS AN ORDER OR A QUOTE

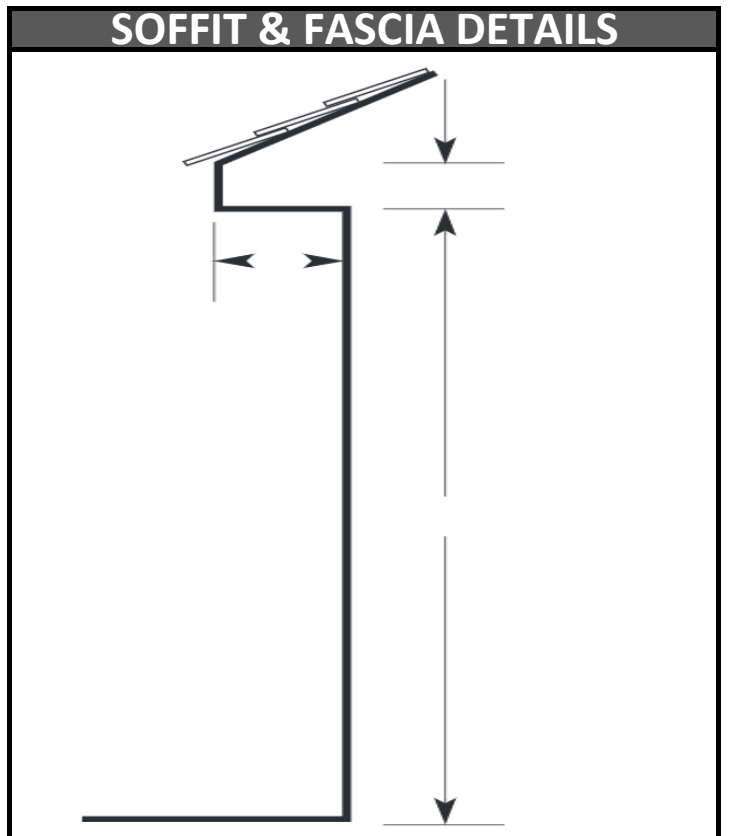
Company Name:		Ref:	Quote No:
Invoice Address:		Date Required:	
		Delivery Address:	
Post Code:	Tel No:		
Date Of Order:		Post Code:	Mobile No:

ROOF DESIGN (PLEASE MARK OULET POSITION AND STATE IF ANY EXTRA RAINWATER GOODS ARE REQUIRED)

All dimensions manufacturing sizes, please deduct soffit & fascia etc but include any box gutter dimensions.

Notes:

Internal Width:				Internal Projection:			
Ridge Height:			Height Restriction:			Roof Pitch:	
ROOF DETAILS							
Polycarb	25mm	32mm	Clear	Bronze	Opal	Bronze/Opal	Heatguard/Opal
Roof Colour				Smart Poly	Gold	Silver	
Roof Vent: Please indicate position on roof drawing						Pole: Gold	Pole: Chrome
						Electric: Switch	Electric: Auto
Glass Roof Spec							
Spacer Bar Colour	Black			Grey			
Box Gutter Size	165mm			265mm			



PLEASE NOTE

Roof spars will be spaced to give optimum structural performance. If spars are required to line through with frame centres then please indicate clearly.
 All gable front conservatories with ring beam & box gutter over front frames, unless otherwise stated. Tie bars will be supplied in li with system technical specification.

I confirm that the details entered on this order by myself or an employee of TradeTech are correct. I have checked the details and instruct TradeTech to manufacture to these specifications. I have read and agree to the terms & conditions of sale.

Signed.....

Print.....

Order Taken By.....

